



NEW

RIEGL VZ-i-20M Industrial Camera

for Professional Operation of the **RIEGL VZ-i Series**
3D Terrestrial Laser Scanners in Harsh Environments

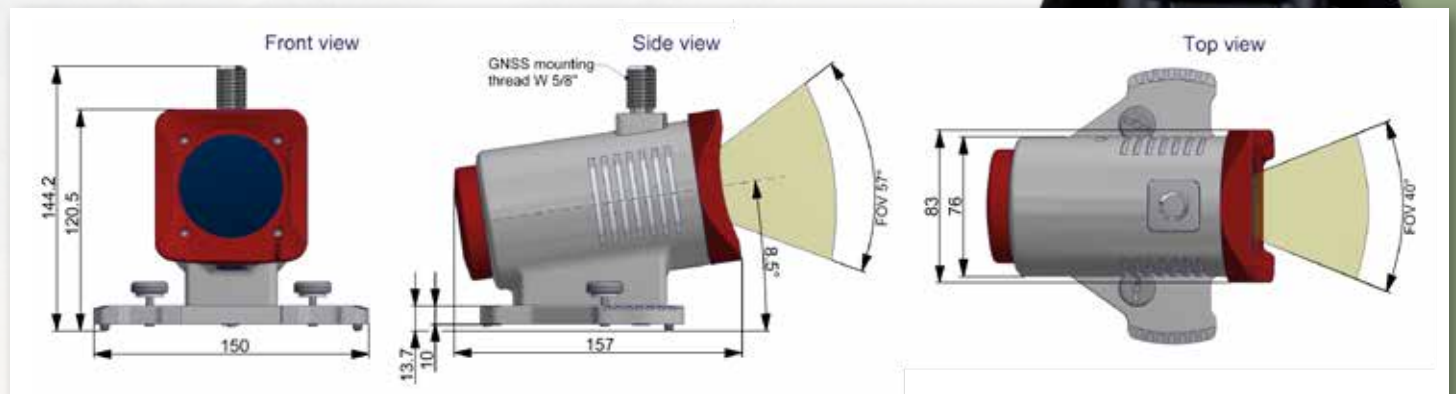
RIEGL provides an IP64 certified industrial camera solution optimized for typical harsh mining conditions.

The new **RIEGL VZ-i-20M Industrial Camera** offers quick and userfriendly mounting to your VZ-i Series Laser Scanner. Precise position and orientation of the camera are enabled by three supporting points. With a resolution of 20 Mega-pixel and a FOV of 40° by 57° this camera provides high resolution images. Power supply and USB interface are provided via the scanner directly. Camera operation, changing of settings, and organization of data storage is fully integrated in the **RIEGL VZ-i Series 3D Terrestrial Laser Scanner's GUI** (Graphical User Interface). In case of using the industrial camera solution, your GNSS antenna can be mounted directly on top of the camera.

Key features

- » IP64 for usage in harsh mining environment
- » compact and weight-optimized
- » climatized to avoid humidity within the camera housing in changing temperature environments
- » operation fully integrated in the **RIEGL VZ-i Series 3D Terrestrial Laser Scanner's GUI** (Graphical User Interface)
- » stable GNSS mounting on top of the camera

Main Dimensions



Technical Data

Camera Performance Data

Sensor	1" CMOS Sensor, color	
Resolution	20 MPixel, 3648 px (H) x 5472 px (V)	
Exposure time	67 μ s to 30 s	
Camera Lens	Industrial high resolution C-Mount lens, f=12 mm	
Camera FOV	40° (H) x 57° (V)	
Camera Elevation Angle	+ 8,5°	
Camera Interfaces	GigE, Trigger (In), Exposure (Out)	via camera interface connector on top of the VZ-i Series 3D laser scanner
Power Supply	12 V DC	
Power Consumption	typ. 4 W max. 15 W with internal heater	

General Technical Data

Main Dimensions (L x W x H)	157 mm x 150 mm x 144.2 mm
Mounting Interface GNSS Receiver	W 5/8" male thread with lock nut
Weight	1.2 kg
Protection Class	IP64, dust- and splash-proof
Temperature Range	
Storage	-20°C to +60°C
Operation	-10°C to +50°C

